



TBH EXHAUST-
AND FILTRATION
TECHNOLOGY FOR THE
FIELDS OF MEDICINE
AND AESTHETIC





LN 100 SET-D - IIa

Fulfills the certification requirements for the medicine products in accordance to [RL 93/42/EWG \(Medical Device Directive, MDD\)](#) of [Class IIa](#) and is suitable for use in operation rooms. The certification is given by a single approval of an independent examining institute and is documented by a serial number allocated by the LGA Intercert.

APPLICATION RANGE

- Laser use in the cosmetic surgery
- Dental medicine
- Endoscopy
- HF surgery



LN 100 SET-D I

ComparS Aesthetic

LN 100 SET-D - I

Fulfills the certification requirements for the medicine products in accordance to [RL 93/42/EWG \(Medical Device Directive, MDD\)](#) and is suitable for medical practices where no Class IIa approval is required. For the adherence of the certification criteria is the manufacturer self-responsible (no single approval of an independent institute).

ComparS Aesthetic

The ComparS Aesthetic meets with his excellent price-/performance ratio the market need of cosmetic- and aesthetic application fields

APPLICATION RANGE

- Hair removal
- Verruca removal
- Dental medicine
- Nail parlor

Exhaust- and Filtration Technology for the fields of **Medicine und Aesthetic**

DANGERS AND HAZARDS IN THE LASER SURGERY

The surgery facemask doesn't offer protection in front of air-supported particles. Up to 25% of the respiratory is passing the facemask! It was developed around the patient to protect him from an airborne infection by the operation staff.

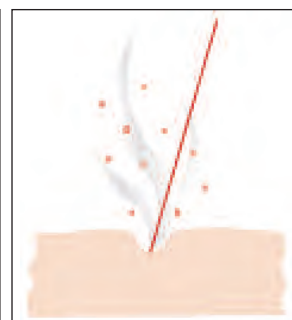
In the laser surgery aerosols will be generated with a particle size of 0,1 μ -10 μ m. Those laser aerosols (LGAC = Laser Generated airborne Contaminants) consist of several parts of human fabric. This one being removed from the fabric explosively as a steam or gas mixture. Dangers start out from microorganisms like **bacteria**, **viruses** and **fungi**. These have a particle size of smaller than 2 μ and can be completely breathing in and therefore are deposited in the lungs. **There is an acute infection risk with that for the operating staff and patient.**

TBH EXTRACTION AND FILTRATION

- Protecting the patient and the operation-team
- View hindering smoke is removed, optimal view for the medic
- Odors are eliminated due to the activated carbon filter

APPLICATION RANGE

- Cosmetic surgery
 - Skin renewal
 - Hair removal
 - Alteration of epidermis
- HF surgery
- Dental medicine
- Endoscopy



Explosive distribution of the dangerous particles



similar model

Exhaust- and Filtration Technology for the fields of **Medicine und Aesthetic**

APPLICATION RANGE

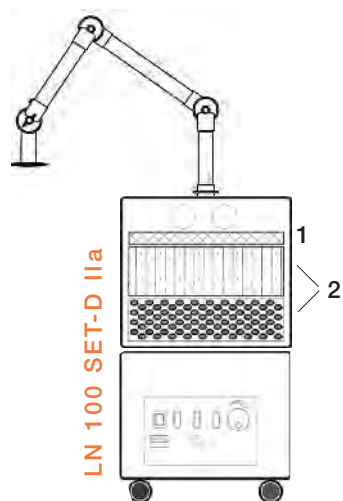
- Cosmetic surgery (Skin renewal, Hair removal, Alteration of epidermis)
- HF surgery
- Dental medicine
- Endoscopy

SCOPE OF SUPPLY:

Complete unit with the interior filter accessories, incl. Exhaust arm, line cord and 4 castors for mobile use, electronic control, Colour RAL 9010

TECHNICAL DATA	UNIT	LN 100 SET-D IIa	LN 100 SET-D I	COMPAIR S AESTHETIC
air flow (free blow)	m ³ /h	270	270	220
effective air flow	m ³ /h	30-220	30-220	30-150
max. static pressure	Pa	21000	21000	13000
voltage/frequency	V/Hz	230V 50/60Hz	230V 50/60Hz	230V 50/60Hz
power input	kW	1,2	1,2	1,2
protection class		1	1	1
motor and drive system		brush motor	brush motor	brush motor
noise level	db(A)	approx. 64	approx. 64	approx. 50
weight	kg	approx. 29	approx. 29	approx. 27
dimensions (HxWxD)	mm	585x310x310	585x310x310	560x290x290
intake socket N/D 50	quantity	2	2	2
Exhaust arm system 50	length(mm)	850	850	850
arm attachment		Medical Extractor tube	Extractor tube	Extractor tube

FILTER-CONFIGURATION			
Prefilter (F5)		✓	✓
Particle filter (H13)		✓	✓
Activated carbon		7l	7l



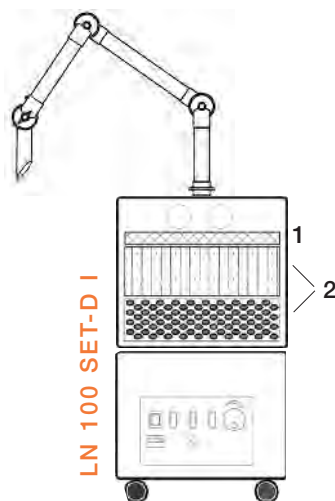
Description	Article-No.
LN 100 Set-D IIa	12139

REPLACEMENT FILTER

Prefilter	11141	1
2-Step-Filter (Particle filter and Activated carbon)	11140	2

SCOPE OF SUPPLY

start/stop function over interface	included
DIN-Plug (3pins)	



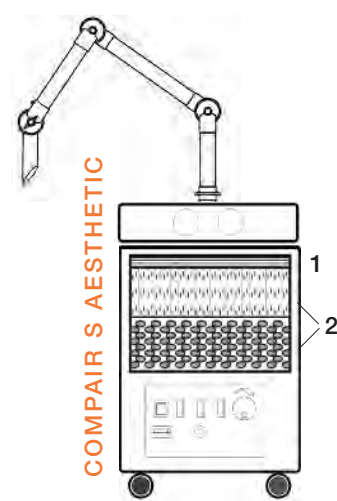
Description	Article-No.
LN 100 Set-D I	12140

REPLACEMENT FILTER

Prefilter	11141	1
2-Step-Filter (Particle filter and Activated carbon)	11140	2

ACCESSORY

foot switch	11442
-------------	-------



Description	Article-No.
Compair S Aesthetic	12524

REPLACEMENT FILTER

Prefilter	11141	1
2-Step-Filter (Particle filter and Activated carbon)	11140	2

ACCESSORY

foot switch	11442
-------------	-------

TRIPLE PROTECTION
FOR PEOPLE, ENVIRONMENT AND MACHINES

YOUR REPRESENTATIVE:

MARWELL

MARWELL Laser Systems AB, Dalvägen 51 A, SE-187 33 Täby, Sweden
Phone +46 8 7567245, E-mail support@marwell.se
www.marwell.se



Heinrich-Hertz-Str. 8
D-75334 Straubenhardt
Fon +49 (0) 70 82 / 9 47 30
Fax +49 (0) 70 82 / 9 47 320
info@tbh.eu • www.tbh.eu