

LASER SPECIFICATIONS

LASER HEAD MODEL NO.			LASER PLASMA TUBE MODEL NO.	
3707H	Flying Leads	3708H	3607H	3608H
3707H-C	High Voltage Conn.	3708H-C	3607H-P	3608H-P
3707H-P	Polarized/Flying Leads	3708H-P		
3707H-PC	Polarized/High Voltage Conn.	3708H-PC		

POWER, NOISE & ELECTRICAL CHARACTERISTICS

• Minimum power output (mW)	0.8	1.0	0.8	1.0
• Noise (1 kHz to 100 kHz)	0.2% (ptp)*	1% (rms)	0.2% (ptp)*	1% (rms)
*Exception: Those instants during mode sweeping when a new longitudinal mode begins to oscillate.				
• Starting voltage (kVdc)	< 10	< 10	< 10	< 10
• Operating voltage (Vdc ± 100)	1500	1500	1200	1200
• Operating current (mA)	4 to 5	3.5 to 3.9	4 to 5	3.5 to 3.9
• Ballast at anode (kΩ)	75	75	75	75
	in high voltage lead	in high voltage lead		

COMMON OPTICAL SPECIFICATIONS

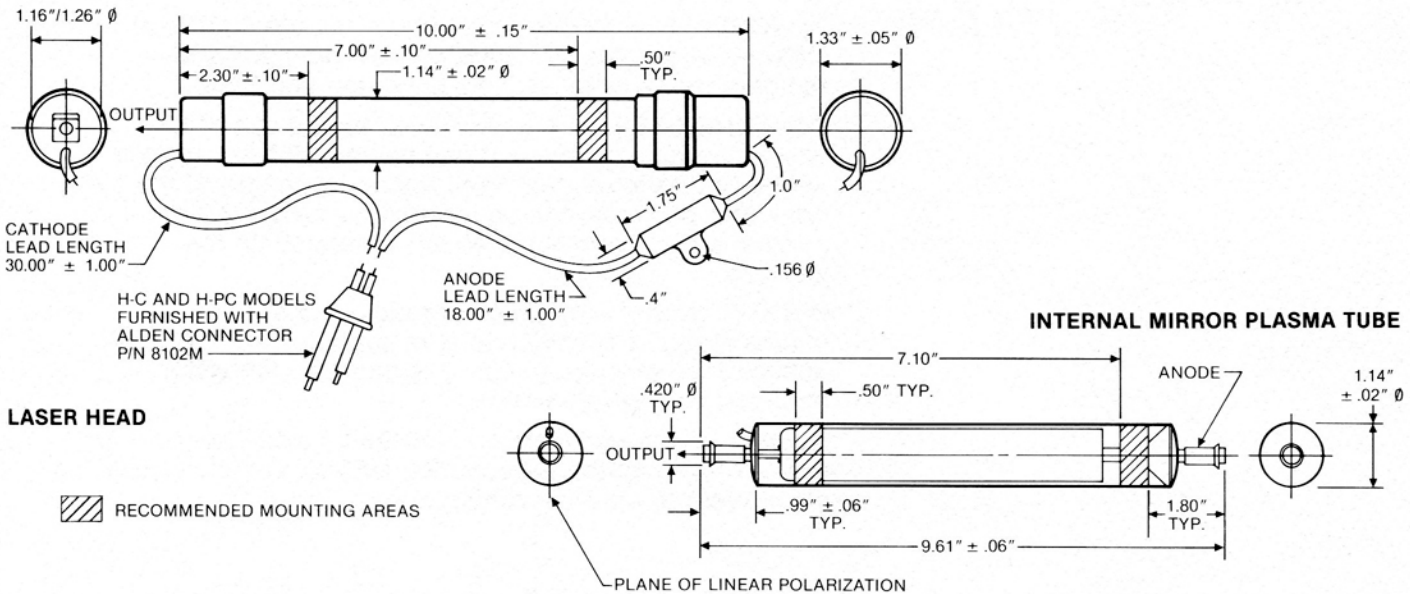
- Long term drift (in any 8 hr. period following 15 min. warm-up) ± 5%
- Wavelength 632.8 nm TEM₀₀
- Longitudinal mode spacing 635 MHz
- Polarization ("P" models only) Linear, 500:1 extinction ratio
- Beam diameter 0.69 mm ± 3%
- Beam divergence (full angle, nominal) 1.2 mrad

COMMON ENVIRONMENTAL SPECIFICATIONS

	OPERATING	NON-OPERATING
Temperature	- 20°C to 80°C	- 40°C to 100°C
Altitude	0-10,000 ft.	0-70,000 ft.
Relative humidity	without condensation 0-100%	0-100%
Shock		50g for 1 ms 15g for 11 ms

BUREAU OF RADIOLOGICAL HEALTH

Laser models on this data sheet are sold only on an OEM or export basis and do not comply with BRH performance standard 21CFR1040. It is the user's responsibility to certify product compliance where applicable.



HUGHES

HUGHES AIRCRAFT COMPANY
INDUSTRIAL PRODUCTS DIVISION
CARLSBAD, CALIFORNIA

HUGHES AIRCRAFT COMPANY • Industrial Products Division
6155 El Camino Real • Carlsbad, CA 92008 Tel: (714) 438-9191, Ext. 584 TWX: 910-322-1393

HUGHES AIRCRAFT INTERNATIONAL SERVICE COMPANY (HAISC)
Clive House, 12-18 Queens Road, Weybridge, Surrey KT13 9XD, England
Tel: (0932) 53180 • TLX: 929727